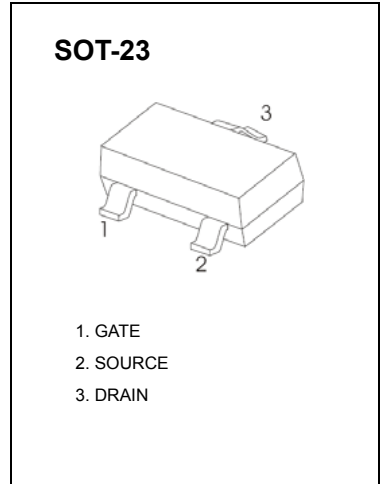


BSS84 P-CHANNEL MOSFET

$V_{(BR)DSS}$	$R_{DS(on)MAX}$	I_D
-50V	8Ω@-10V	-0.13A
	10Ω@-5V	



DESCRIPTION

These miniature surface mount MOSFETs reduce power loss conserve energy, making this device ideal for use in small power management circuitry.

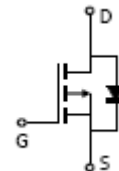
FEATURE

- Energy Efficient
- Low Threshold Voltage
- High-speed Switching
- Miniature Surface Mount Package Saves Board Space

APPLICATION

- DC-DC converters, load switching, power management in portable and battery-powered products such as computers, printers, cellular and cordless telephones.

Equivalent Circuit



MAXIMUM RATINGS ($T_a=25^{\circ}C$ unless otherwise noted)

Parameter	Symbol	Value	Unit
Drain-Source Voltage	V_{DS}	-50	V
Gate-Source Voltage	V_{GS}	±20	V
Continuous Drain Current	I_D	-0.13	A
Pulsed Drain Current (note 1) @tp <10 μs	I_{DM}	-0.52	A
Power Dissipation	P_D	225	mW
Thermal Resistance from Junction to Ambient (note 2)	$R_{\theta JA}$	556	°C/W
Junction Temperature	T_J	150	°C
Storage Temperature	T_{STG}	-55~+150	°C
Maximum Lead Temperature for Soldering Purposes , Duration for 5 Seconds	T_L	260	°C

MOSFET ELECTRICAL CHARACTERISTICS

T_a=25 °C unless otherwise specified

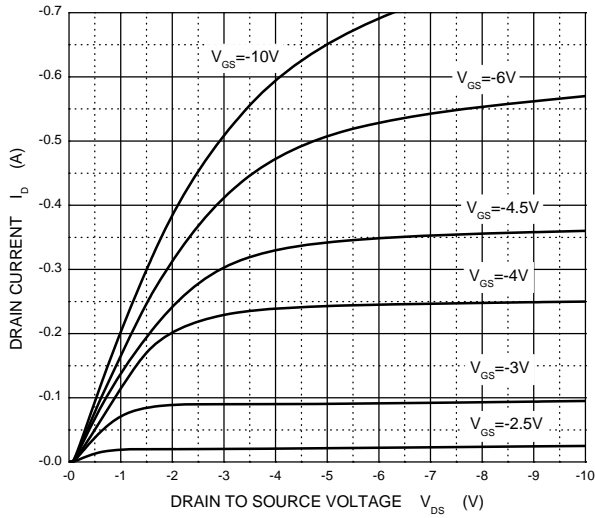
Parameter	Symbol	Test Condition	Min	Typ	Max	Unit
STATIC CHARACTERISTICS						
Drain-source breakdown voltage	V _{(BR)DSS}	V _{GS} = 0V, I _D = -250μA	-50			V
Zero gate voltage drain current	I _{DSS}	V _{DS} = -50V, V _{GS} = 0V			-15	μA
		V _{DS} = -25V, V _{GS} = 0V			-0.1	μA
Gate-body leakage current	I _{GSS}	V _{GS} = ±20V, V _{DS} = 0V			±5	μA
Gate threshold voltage (note 3)	V _{GS(th)}	V _{DS} = V _{GS} , I _D = -250μA	-0.9		-2	V
Drain-source on-resistance (note 3)	R _{DS(on)}	V _{GS} = -5V, I _D = -0.1A			10	Ω
		V _{GS} = -10V, I _D = -0.1A			8	Ω
Forward transconductance (note 1)	g _{FS}	V _{DS} = -25V; I _D = -100mA	50			mS
DYNAMIC CHARACTERISTICS (note 4)						
Input capacitance	C _{iSS}	V _{DS} = 5V, V _{GS} = 0V, f = 1MHz		30		pF
Output capacitance	C _{oSS}			10		pF
Reverse transfer capacitance	C _{rSS}			5		pF
SWITCHING CHARACTERISTICS (note 4)						
Turn-on delay time	t _{d(on)}	V _{DD} = -15V, R _L = 50Ω, I _D = -2.5A		2.5		ns
Turn-on rise time	t _r			1		ns
Turn-off delay time	t _{d(off)}			16		ns
Turn-off fall time	t _f			8		ns
SOURCE-DRAIN DIODE CHARACTERISTICS						
Continuous Current	I _S				-0.13	A
Pulsed Current	I _{SM}				-0.52	A
Diode forward voltage (note 3)	V _{SD}	I _S = -0.13A, V _{GS} = 0V			-2.2	V

Notes :

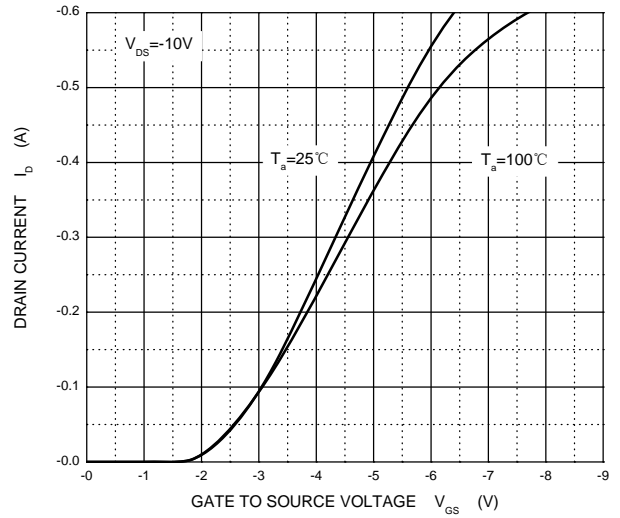
1. Repetitive rating : Pulse width limited by junction temperature.
2. Surface mounted on FR4 board , t_s ≤ 10s.
3. Pulse Test : Pulse Width ≤ 300μs, Duty Cycle ≤ 2%.
4. Guaranteed by design, not subject to producing.

Typical Characteristics

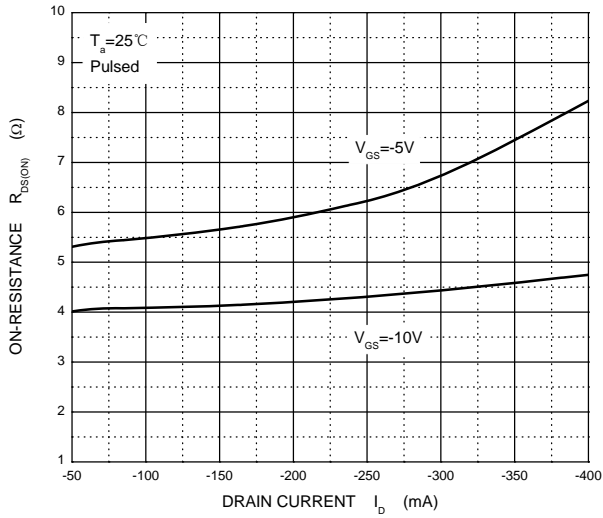
Output Characteristics



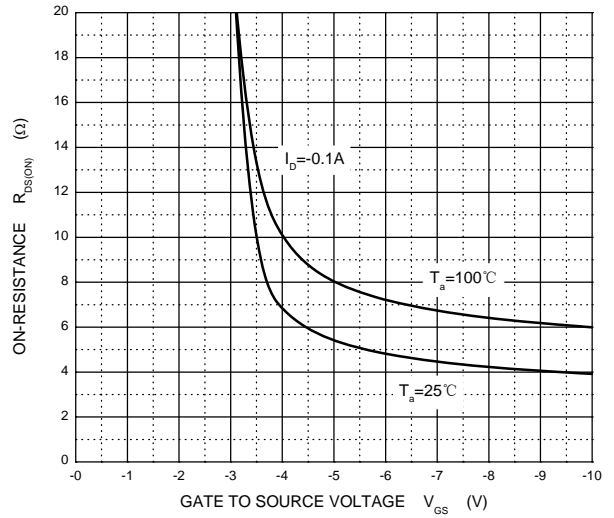
Transfer Characteristics



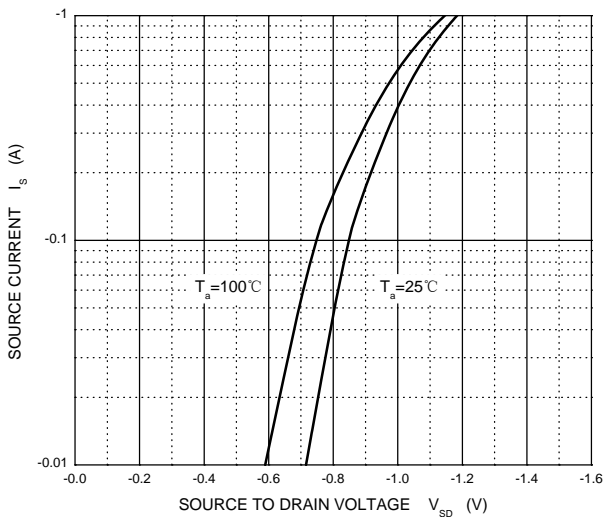
$R_{DS(ON)}$ — I_D



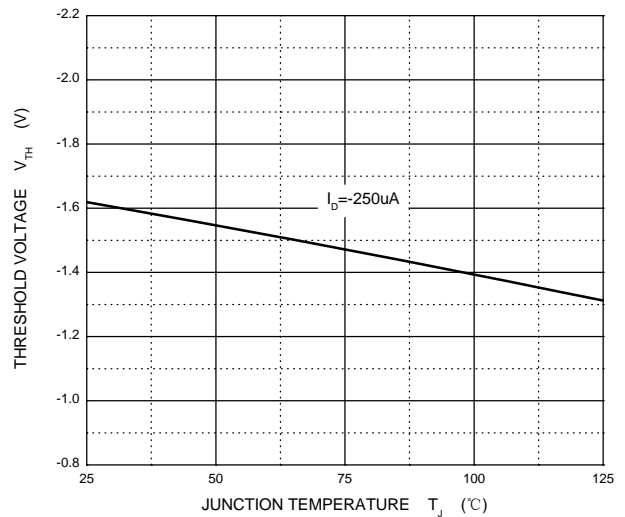
$R_{DS(ON)}$ — V_{GS}



I_S — V_{SD}



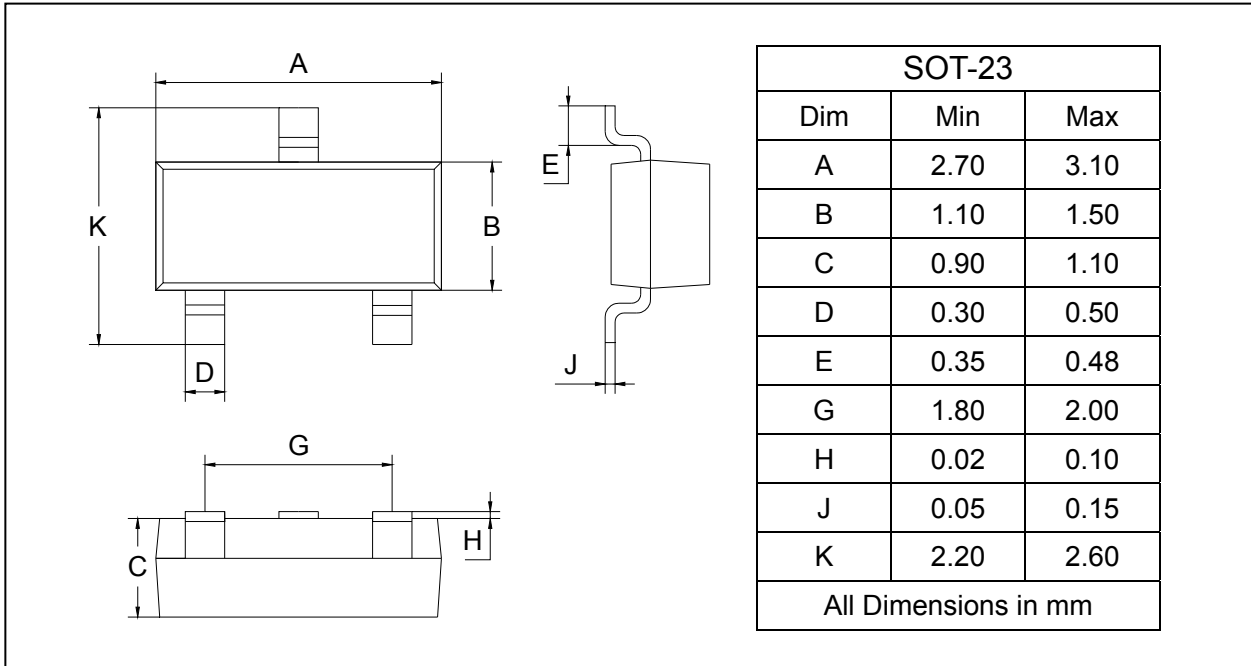
Threshold Voltage



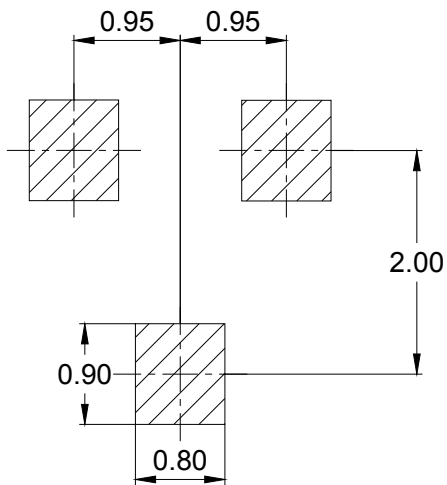
SOT-23 Package Outline Dimensions

Plastic surface mounted package

SOT-23



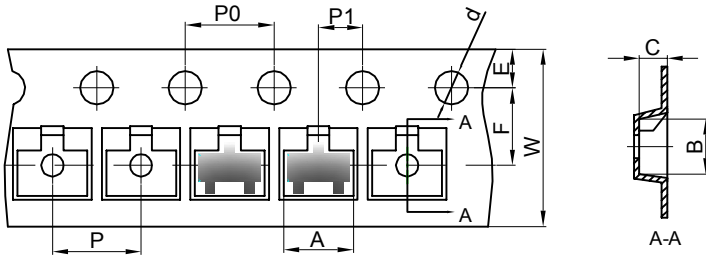
SOLDERING FOOTPRINT



Unit: mm

SOT-23 Tape and reel

SOT-23 Embossed Carrier Tape

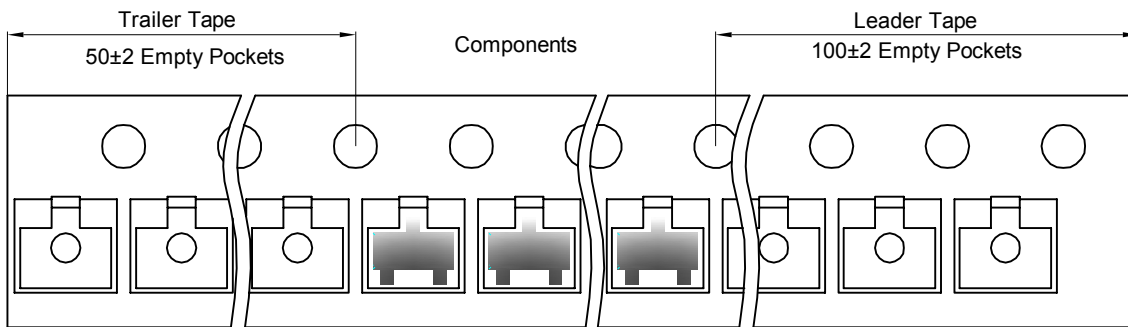


Packaging Description:

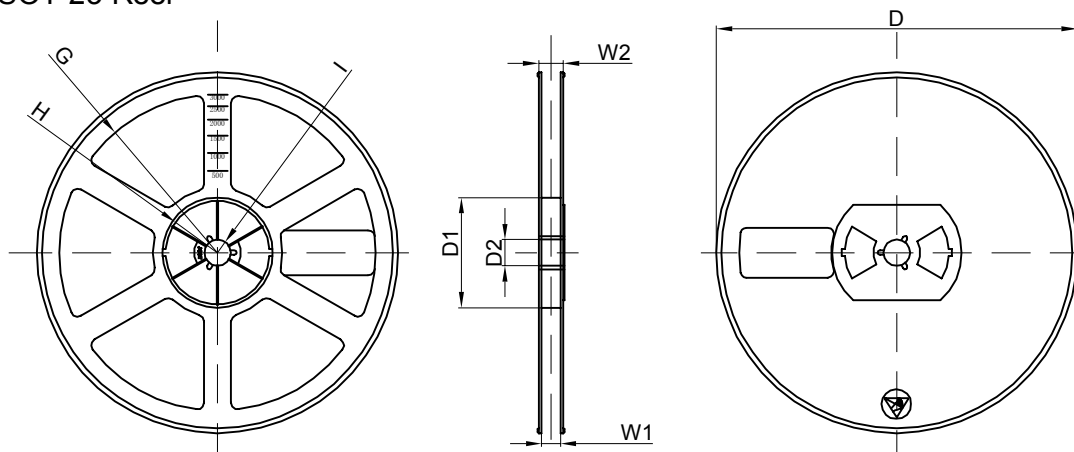
SOT-23 parts are shipped in tape. The carrier tape is made from a dissipative (carbon filled) polycarbonate resin. The cover tape is a multilayer film (Heat Activated Adhesive in nature) primarily composed of polyester film, adhesive layer, sealant, and anti-static sprayed agent. These reeled parts in standard option are shipped with 3,000 units per 7" or 17.8cm diameter reel. The reels are clear in color and is made of polystyrene plastic (anti-static coated).

Dimensions are in millimeter										
Pkg type	A	B	C	d	E	F	P0	P	P1	W
SOT-23	3.15	2.77	1.22	Ø1.50	1.75	3.50	4.00	4.00	2.00	8.00

SOT-23 Tape Leader and Trailer



SOT-23 Reel



Dimensions are in millimeter								
Reel Option	D	D1	D2	G	H	I	W1	W2
7" Dia	Ø178.00	54.40	13.00	R78.00	R25.60	R6.50	9.50	12.30

REEL	Reel Size	Box	Box Size(mm)	Carton	Carton Size(mm)	G.W.(kg)
3000 pcs	7 inch	30,000 pcs	203×203×195	120,000 pcs	438×438×220	